



Pump Mounting Plates & Spacers/ Adapters

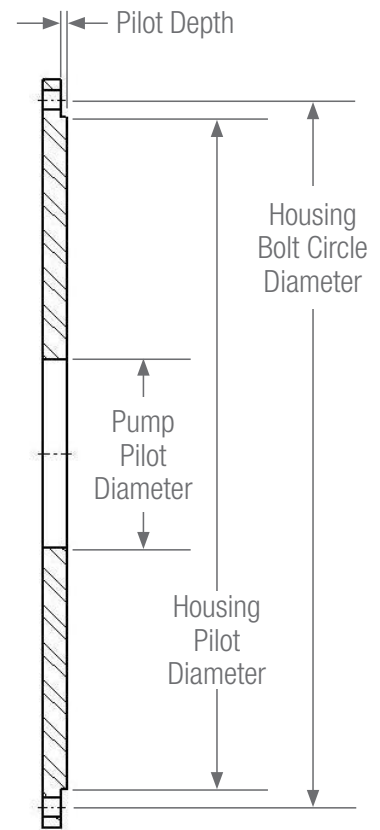
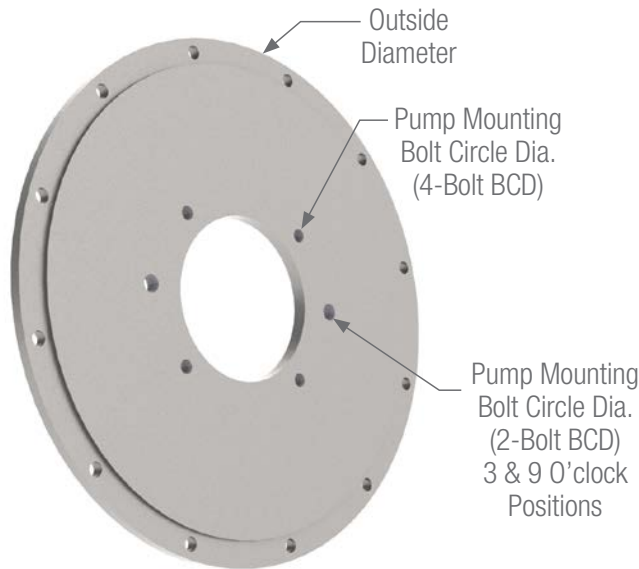


 **Guardian[®]**
Couplings

An Altra Industrial Motion Company

PUMP MOUNTING PLATES

- Manufactured from steel
- SAE sizes 1 thru 6 from stock
- SAE 0 & 00 available upon request
- Plain and zinc finish from stock
- E-coat, black oxide & powder coat available upon request



Guardian Steel Pump Mounting Plates						
Housing Size	Housing Pilot Diameter	Outside Diameter	Housing Bolt Circle Diameter	Number Of Bolt Holes	Plate Thickness	Pilot Depth
1	20.125"	21.750"	20.875"	12	.750"	.125"
2	17.625"	19.250"	18.375"	12	.750"	.125"
3	16.125"	17.750"	16.875"	12	.500" & .750"	.125"
4	14.250"	15.875"	15.000"	12	.500"	.125"
5	12.375"	14.000"	13.125"	8	.500"	.125"
6	10.500"	12.125"	11.250"	8	.500"	.125"

Pump Mounting Flange Information

SAE 2 Bolt Mounting Flanges			
Mounting Flange SAE	Pump Pilot Diameter	Bolt Circle Diameter	Tapped Holes
AA	2.000"	3.250"	5/16-18
A	3.250"	4.187"	3/8-16
B	4.000"	5.750"	1/2-13
C	5.000"	7.125"	5/8-11
D	6.000"	9.000"	3/4-10
E	6.500"	12.500"	1-8
F	7.000"	13.781"	1-8

SAE 4 Bolt Mounting Flanges			
Mounting Flange SAE	Pump Pilot Diameter	Bolt Circle Diameter	Tapped Holes
AA	1.781"	2.838"	5/16-18
A	3.250"	4.125"	3/8-16
B	4.000"	5.000"	1/2-13
C	5.000"	6.375"	1/2-13
D	6.000"	9.000"	3/4-10
E	6.500"	12.500"	3/4-10
F	7.000"	13.781"	1-8

SAE SPACERS / ADAPTORS

- Manufactured in steel & aluminum
- SAE 0 thru 6 available
- Custom applications available upon request
- Zinc, e-coat, black oxide & powder coat available upon request

Pump Mounting Plates

Guardian Part Number (Plain Steel)	SAE Housing Size	Bolt Pattern	Plate Thickness	SAE Pilot Size
15668	#1	2-BOLT	.750"	SAE "C" 5.00"
15669	#1	4-BOLT	.750"	SAE "C" 5.00"
1566905	#1	2 & 4 BOLT	.750"	SAE "C" 5.00"
1566917	#1	2-BOLT	.750"	SAE "D" 6.00"
156692	#1	4-BOLT	.750"	SAE "D" 6.00"
1566921	#1	2 & 4 BOLT	.750"	SAE "D" 6.00"
1566923	#1	2-BOLT	.750"	SAE "E" 6.50"
1566926	#1	4-BOLT	.750"	SAE "E" 6.50"
15669265	#1	2-BOLT	.750"	SAE "F" 7.00"
1566929	#1	4-BOLT	.750"	SAE "F" 7.00"
1566958	#2	2-BOLT	.750"	SAE "C" 5.00"
1566962	#2	4-BOLT	.750"	SAE "C" 5.00"
1566965	#2	2 & 4 BOLT	.750"	SAE "C" 5.00"
1566970	#2	2-BOLT	.750"	SAE "D" 6.00"
1566973	#2	4-BOLT	.750"	SAE "D" 6.00"
1566975	#2	2 & 4 BOLT	.750"	SAE "D" 6.00"
1566986	#2	2-BOLT	.750"	SAE "E" 6.50"
156699	#2	4-BOLT	.750"	SAE "E" 6.50"
15673	#3	2-BOLT	.500"	SAE "B" 4.00"
15676	#3	4-BOLT	.500"	SAE "B" 4.00"
15677	#3	2 & 4 BOLT	.500"	SAE "B" 4.00"
15679	#3	2-BOLT	.500"	SAE "C" 5.00"
15682	#3	4-BOLT	.500"	SAE "C" 5.00"
15685	#3	2 & 4 BOLT	.500"	SAE "C" 5.00"
15690	#3	2-BOLT	.500"	SAE "D" 6.00"
15693	#3	4-BOLT	.500"	SAE "D" 6.00"
15694	#3	2 & 4 BOLT	.500"	SAE "D" 6.00"
15705	#4	2-BOLT	.500"	SAE "A" 3.25"
15706	#4	4-BOLT	.500"	SAE "A" 3.25"
15704	#4	2 & 4 BOLT	.500"	SAE "A" 3.25"
15710	#4	2-BOLT	.500"	SAE "B" 4.00"
15715	#4	4-BOLT	.500"	SAE "B" 4.00"
157155	#4	2 & 4 BOLT	.500"	SAE "B" 4.00"
15718	#4	2-BOLT	.500"	SAE "C" 5.00"
15720	#4	4-BOLT	.500"	SAE "C" 5.00"
15722	#4	2 & 4 BOLT	.500"	SAE "C" 5.00"
15953	#5	2-BOLT	.500"	SAE "A" 3.25"
15954	#5	4-BOLT	.500"	SAE "A" 3.25"
159544	#5	2 & 4 BOLT	.500"	SAE "A" 3.25"
15955	#5	2-BOLT	.500"	SAE "B" 4.00"
15960	#5	4-BOLT	.500"	SAE "B" 4.00"
15963	#5	2 & 4 BOLT	.500"	SAE "B" 4.00"
15978	#5	2-BOLT	.500"	SAE "C" 5.00"
15970	#5	4-BOLT	.500"	SAE "C" 5.00"
15982	#5	2 & 4 BOLT	.500"	SAE "C" 5.00"
159956	#6	2-BOLT	.500"	SAE "A" 3.25"
159957	#6	4-BOLT	.500"	SAE "A" 3.25"
159958	#6	2 & 4 BOLT	.500"	SAE "A" 3.25"
15996	#6	2-BOLT	.500"	SAE "B" 4.00"
159965	#6	4-BOLT	.500"	SAE "B" 4.00"
159967	#6	2 & 4 BOLT	.500"	SAE "B" 4.00"
15998	#6	2-BOLT	.500"	SAE "C" 5.00"
159982	#6	4-BOLT	.500"	SAE "C" 5.00"
159983	#6	2 & 4 BOLT	.500"	SAE "C" 5.00"

*SAE #3 Pump Mounting Plates are also available in .750" thickness

Spacers			
Model	SAE HSG #	Material	Offset
GISP06.05S	SAE 6	STEEL	0.500"
GISP06.06S	SAE 6	STEEL	0.625"
GISP06.10S	SAE 6	STEEL	1.000"
GISP05.05S	SAE 5	STEEL	0.500"
GISP05.10S	SAE 5	STEEL	1.000"
GISP04.05S	SAE 4	STEEL	0.500"
GISP04.10S	SAE 4	STEEL	1.000"
GISP04.11S	SAE 4	STEEL	1.130"
GISP04.13S	SAE 4	STEEL	1.250"
GISP03.05S	SAE 3	STEEL	0.500"
GISP03.10S	SAE 3	STEEL	1.000"
GISP03.13S	SAE 3	STEEL	1.250"
GISP03.15S	SAE 3	STEEL	1.500"
GISP03.21S	SAE 3	STEEL	2.187"
GISP03.25S	SAE 3	STEEL	2.500"
GISP02.10A	SAE 2	ALUMINUM	1.000"
GISP01.05A	SAE 1	ALUMINUM	0.500"
GISP01.10A	SAE 1	ALUMINUM	1.000"

Housing Adaptors (Single Step)			
Model	SAE HSG #	Material	Offset
GIAD1.65.10A	SAE 6 / SAE 5	ALUMINUM	1.000"
GIAD1.54.10A	SAE 5 / SAE 4	ALUMINUM	1.000"
GIAD1.45.01A	SAE 4 / SAE 5	ALUMINUM	0.120"
GIAD1.45.08A	SAE 4 / SAE 5	ALUMINUM	0.750"
GIAD1.43.10A	SAE 4 / SAE 3	ALUMINUM	1.000"
GIAD1.34.01 S	SAE 3 / SAE 4	STEEL	0.120"
GIAD1.34.05A	SAE 3 / SAE 4	ALUMINUM	0.500"
GIAD1.34.10A	SAE 3 / SAE 4	ALUMINUM	1.000"
GIAD1.32.10A	SAE 3 / SAE 2	ALUMINUM	1.000"
GIAD1.23.01 S	SAE 2 / SAE 3	STEEL	0.130"
GIAD1.23.10A	SAE 2 / SAE 3	ALUMINUM	1.000"
GIAD1.21.10A	SAE 2 / SAE 1	ALUMINUM	1.000"
GIAD1.12.00S	SAE 1 / SAE 2	STEEL	0.000"
GIAD1.12.10A	SAE 1 / SAE 2	ALUMINUM	1.000"
GIAD1.12.27S	SAE 1 / SAE 2	STEEL	2.766"
GIAD1.000.10S	SAE 00/SAE 0	STEEL	1.000"

Housing Adaptors (Double Step)			
Model	SAE HSG	Material	Offset
GIAD2.53.00A	SAE 5 / SAE 3	ALUMINUM	0.000"
GIAD2.42.10A	SAE 4 / SAE 2	ALUMINUM	1.000"
GIAD2.35.00A	SAE 3 / SAE 5	ALUMINUM	0.000"
GIAD2.31.10A	SAE 3 / SAE 1	ALUMINUM	1.000"
GIAD2.24.00A	SAE 2 / SAE 4	ALUMINUM	0.000"
GIAD2.24.10A	SAE 2 / SAE 4	ALUMINUM	1.000"
GIAD2.13.00A	SAE 1 / SAE 3	ALUMINUM	0.000"
GIAD2.13.10A	SAE 1 / SAE 3	ALUMINUM	1.000"
GIAD2.10.10A	SAE 1 / SAE 0	ALUMINUM	1.000"
GIAD2.01.00S	SAE 0 / SAE 1	STEEL	0.000"
GIAD2.01.10A	SAE 0 / SAE 1	ALUMINUM	1.000"

SAE Housing Spacer



Single Step Adaptor



Double Step Adaptor



Belted Drives and Sheaves

TB Wood's

Belted Drives
Chambersburg, PA - USA
1-888-829-6637 – Press #5
For application assistance:
1-888-829-6637 – Press #7

Couplings

Ameridrives Couplings

Mill Spindles, Ameriflex, Ameridisc
Erie, PA - USA
1-814-480-5000
Gear Couplings
San Marcos, TX - USA
1-800-458-0887

Ameridrives Power Transmission

Universal Joints, Drive Shafts, Mill Gear Couplings
Green Bay, WI - USA
1-920-593-2444

Bibby Turboflex

Disc, Gear, Grid Couplings, Overload Clutches
Dewsbury, England
+44 (0) 1924 460801
Boksburg, South Africa
+27(0) 11 918 4270

Guardian Couplings

Engineered Flywheel Couplings, Engine Housings and Pump Mounts, Flexible Shaft Couplings
Michigan City, IN - USA
1-219-874-5248

Huco Dynatork

Precision Couplings and Air Motors
Hertford, England
+44 (0) 1992 501900
Chambersburg, PA - USA
1-888-829-6637

Couplings Cont.

Lamiflex Couplings

Flexible Couplings, Bearing Isolators, and Coupling Guards
Cotia, SP - Brasil
+55 (11) 4615-6300

TB Wood's

Elastomeric Couplings
Chambersburg, PA - USA
1-888-829-6637 – Press #5
For application assistance:
1-888-829-6637 – Press #7
General Purpose Disc Couplings
San Marcos, TX - USA
1-888-449-9439

Electromagnetic Clutches and Brakes

Inertia Dynamics

Spring Set Brakes; Power On and Wrap Spring Clutch/Brakes
New Hartford, CT - USA
1-800-800-6445

Matrix International

Electromagnetic Clutches and Brakes, Pressure Operated Clutches and Brakes
Brechtin, Scotland
+44 (0) 1356 602000
New Hartford, CT - USA
1-800-825-6544

Warner Electric

Electromagnetic Clutches and Brakes
New Hartford, CT - USA
1-800-825-6544
For application assistance:
1-800-825-9050
Saint Barthélemy d'Anjou, France
+33 (0)2 41 21 24 24
Precision Electric Coils and Electromagnetic Clutches and Brakes
Columbia City, IN - USA
1-260-244-6183

Engineered Bearing Assemblies

Kilian Manufacturing

Engineered Bearing Assemblies
Syracuse, NY - USA
1-315-432-0700

Gearing

Bauer Gear Motor

Geared Motors
Esslingen, Germany
+49 (711) 3518-0
Somerset, NJ - USA
1-732-469-8770

Boston Gear

Enclosed and Open Gearing, Electrical and Mechanical P.T. Components
Charlotte, NC - USA
1-800-825-6544
For application assistance:
1-800-816-5608

Nuttall Gear and Delroyd Worm Gear

Worm Gear and Helical Speed Reducers
Niagara Falls, NY - USA
1-716-298-4100

Heavy Duty Clutches and Brakes

Industrial Clutch

Pneumatic and Oil Immersed Clutches and Brakes
Waukesha, WI - USA
1-262-547-3357

Svendborg Brakes

Industrial Brakes and Brake Systems
Vejstrup, Denmark
+45 63 255 255

Twiflex Limited

Caliper Brakes and Thrusters
Wichita Falls, TX - USA
1-844-723-3483
Twickenham, England
+44 (0) 20 8894 1161

Heavy Duty Clutches and Brakes Cont.

Wichita Clutch

Pneumatic Clutches and Brakes
Wichita Falls, TX - USA
1-800-964-3262
Bedford, England
+44 (0) 1234 350311

Linear Products

Warner Linear

Linear Actuators
Belvidere, IL - USA
1-800-825-6544
For application assistance:
1-800-825-9050
Saint Barthélemy d'Anjou, France
+33 (0)2 41 21 24 24

Overrunning Clutches

Formsprag Clutch

Overrunning Clutches and Holdbacks
Warren, MI - USA
1-800-348-0881 – Press #1
For application assistance:
1-800-348-0881 – Press #2

Marland Clutch

Roller Ramp and Sprag Type Overrunning Clutches and Backstops
South Beloit, IL - USA
1-800-216-3515

Stieber Clutch

Overrunning Clutches and Holdbacks
Heidelberg, Germany
+49 (0) 6221-30470

For information concerning our sales offices in Asia Pacific check our website www.altramotion.com.cn

While Guardian Industries makes every effort to ensure the accuracy of the information provided, we make no warranty as to the accuracy or completeness of said information.



www.guardiancouplings.com

300 Indiana Highway 212
Michigan City, IN 46360 – USA
219-874-5248
Fax: 219-879-6643

Merchant Drive, Hertford
Hertfordshire SG13 7BL - England
+44(0)1992 501900
Fax: +44 (0)1992 509890